

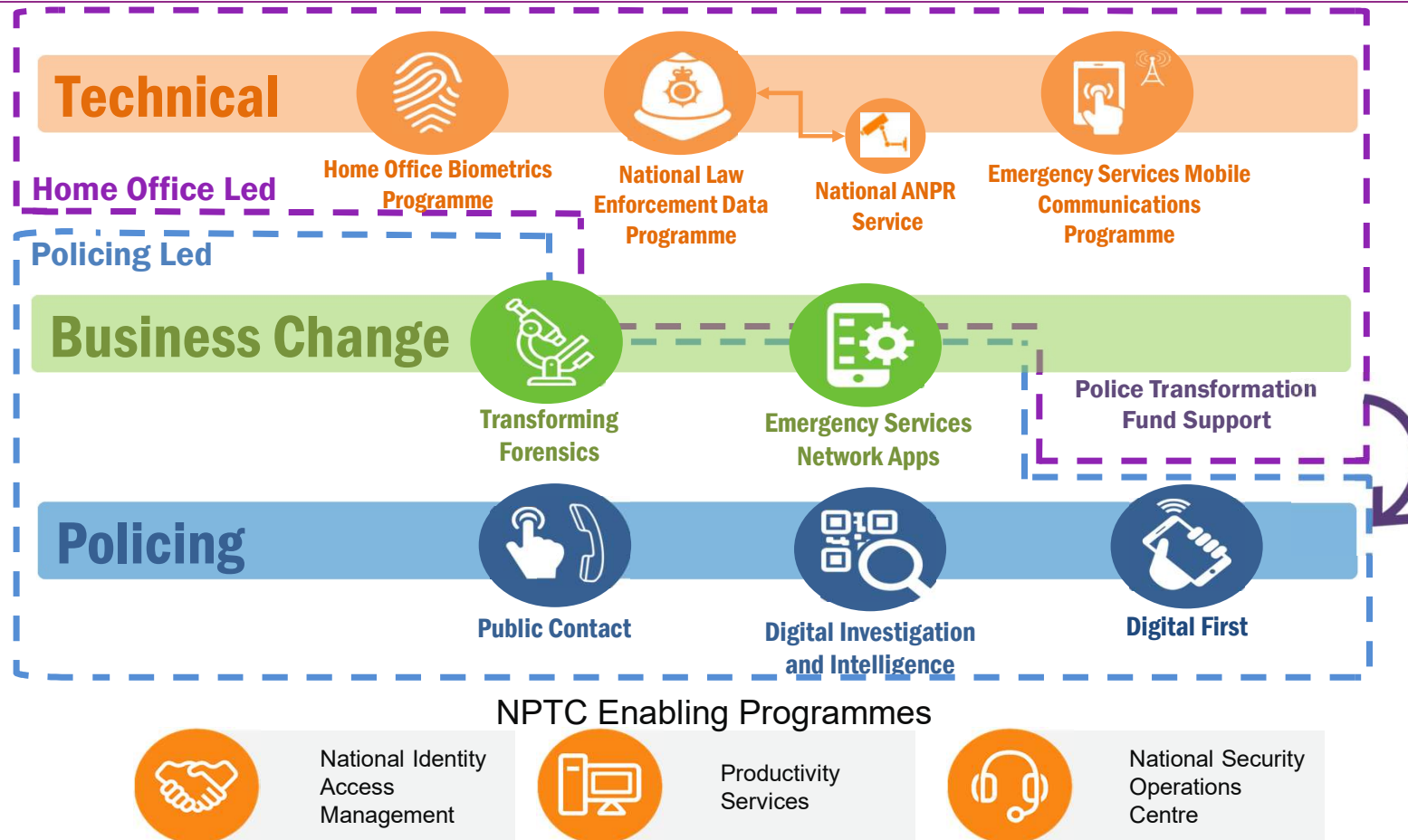
National Law Enforcement Data Programme (NLEDP)

Delivering LEDS – the Law Enforcement Data Service

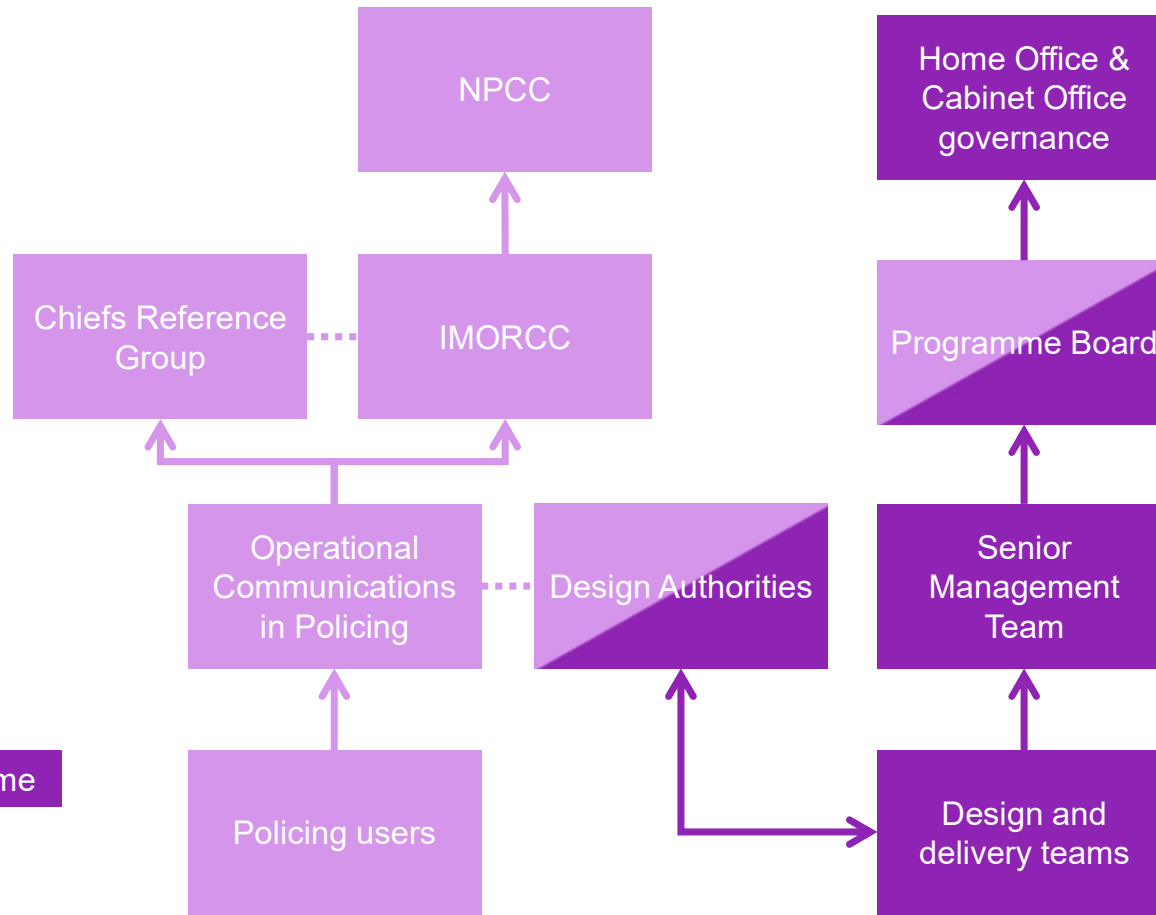
The National Law Enforcement Data Programme (NLEDP) is working to provide Law Enforcement and other agencies, on-demand and at the point of need, with current and joined up information in order to prevent crime and better safeguard the public.

Version Number: 1.8
Date Issued: 19th June 2018

Law Enforcement Portfolio



LEDS – designed with and assured by policing

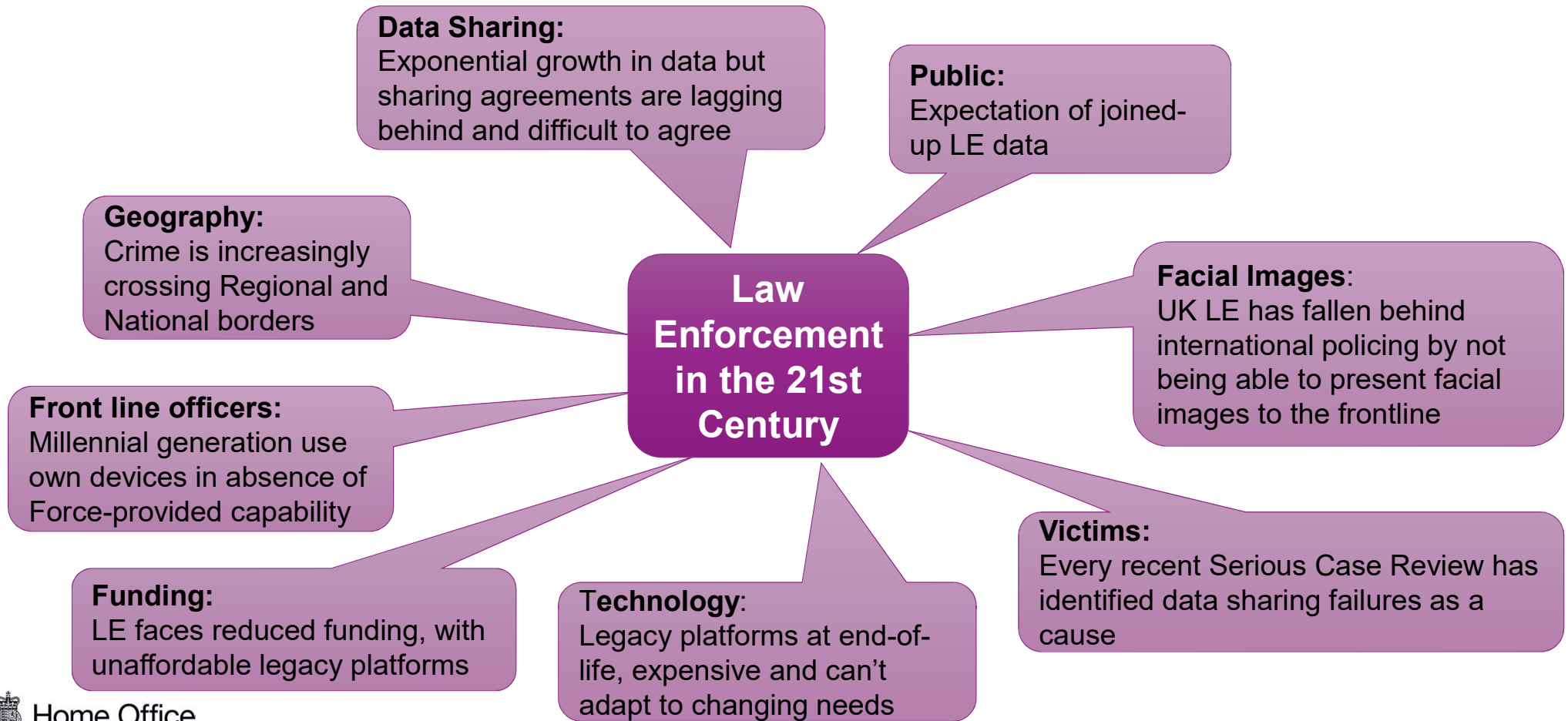


Policing Programme

Operational Communications in Policing (OCiP)

- Move from police as owner to police as users of Government IT systems – Intelligent Customer
- OCiP's role:
 - **User requirements:** making sure these are captured, articulated clearly and assuring that the programme delivers them
 - **Business Change:** making sure the Service maximises the opportunities presented through the change programme
- Head of OCiP – DCC Richard Morris, reporting to NPCC
- ESMCP model applied to NLEDP – 6 police officers plus support from the PND Business Continuity Team

NLEDP Drivers



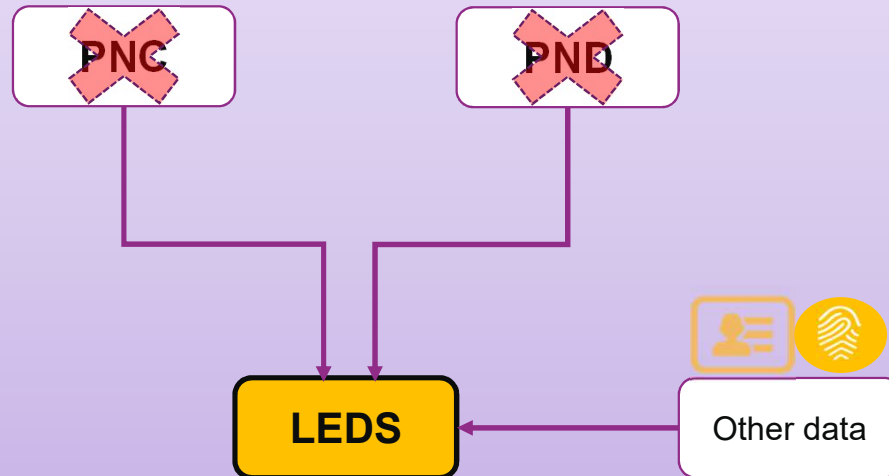
NLEDP Vision

NLEDP is working to provide Law Enforcement and other agencies, on-demand and at the point of need, with current and joined up information in order to prevent crime and better safeguard the public.

This will result in the creation of the LEDS Platform and the decommissioning of PNC and PND.

1 – 2 years

Combine **data and services**
+
Enhance with **tailored searches, mobile access, HOB link, pushed alerts** and better matched and joined up **data**



LEDS – Investment Objectives



Business continuity

Ensure there is no disruption to services for operational users



Reduced costs

Reduce cost where appropriate by re-using existing HO capabilities, consistent with HODDaT & govt. IT strategy



Improved service

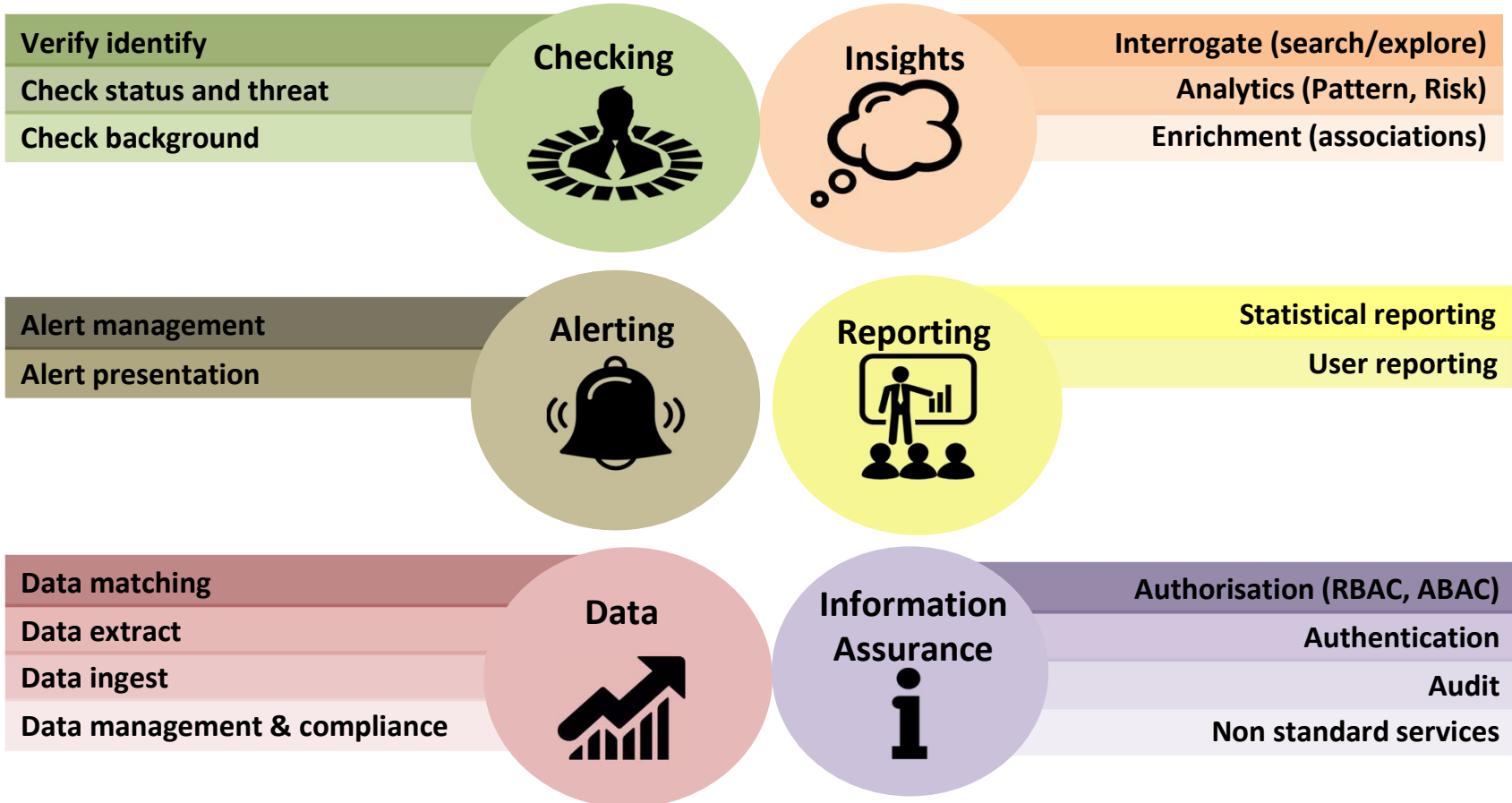
Facilitate more innovative use of the data by users and speed up the delivery of system improvements



Flexible architecture

Minimise supplier tie-ins & maximise scope for future competition, choice & innovation in longer-term

NLEDP Business Services



LEDS ready to hold LEDS OFFICIAL (filtered) data



LEDS ready to hold LEDS OFFICIAL SENSITIVE (unfiltered) data



LEDS Build Complete



PNC Contract End Date



2018

2019

2020



PND Data migrated into LEDS in AWS



PNC Data migrated to LEDS in AWS



LEDS data synchronised with PND and PNC data



Early User Acceptance Testing (UAT) cycles every 10 weeks

National Law Enforcement Data Programme (NLEDP)

Delivering LEDS – the Law Enforcement Data Service

The National Law Enforcement Data Programme (NLEDP) is working to provide Law Enforcement and other agencies, on-demand and at the point of need, with current and joined up information in order to prevent crime and better safeguard the public.

Version Number: 1.8
Date Issued: 19th June 2018